

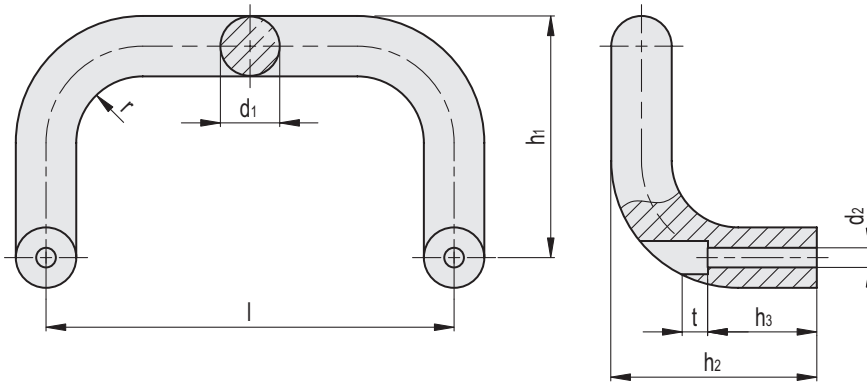
- 1
- 2
- 3
- 4
- 5
- 6
- 7
- 8
- 9
- 10
- 11
- 12
- 13
- 14
- 15
- 16
- 17
- 18
- 19

STANDARD EXECUTIONS

Aluminium with epoxy resin coating
 - Black, RAL 9005, textured finish **SW**
 - Grey, RAL 9006, matte finish **SR**
 - Natural colour **BL**

FEATURES AND APPLICATIONS

The GN 426.4 bridge handles for cabinets are made from a curved aluminium profile.



Code	Description	d1	l	d2	h1	h2	h3	r	t	⚖
GN.81055	GN 426.4-AL-20-200-SW	20	200	6.5	105	68	36	22	9	368
GN.81053	GN 426.4-AL-20-200-SR	20	200	6.5	105	68	36	22	9	368
GN.81051	GN 426.4-AL-20-200-BL	20	200	6.5	105	68	36	22	9	368
GN.81061	GN 426.4-AL-20-300-SW	20	300	6.5	105	68	36	22	9	467
GN.81059	GN 426.4-AL-20-300-SR	20	300	6.5	105	68	36	22	9	467
GN.81057	GN 426.4-AL-20-300-BL	20	300	6.5	105	68	36	22	9	467
GN.81075	GN 426.4-AL-28-250-SW	28	250	9	125	78	34	32	11	834
GN.81073	GN 426.4-AL-28-250-SR	28	250	9	125	78	34	32	11	834
GN.81071	GN 426.4-AL-28-250-BL	28	250	9	125	78	34	32	11	834
GN.81081	GN 426.4-AL-28-350-SW	28	350	9	125	78	34	32	11	1030
GN.81079	GN 426.4-AL-28-350-SR	28	350	9	125	78	34	32	11	1030
GN.81077	GN 426.4-AL-28-350-BL	28	350	9	125	78	34	32	11	1030
GN.81087	GN 426.4-AL-28-500-SW	28	500	9	125	78	34	32	11	1280
GN.81085	GN 426.4-AL-28-500-SR	28	500	9	125	78	34	32	11	1280
GN.81083	GN 426.4-AL-28-500-BL	28	500	9	125	78	34	32	11	1280

Handles